

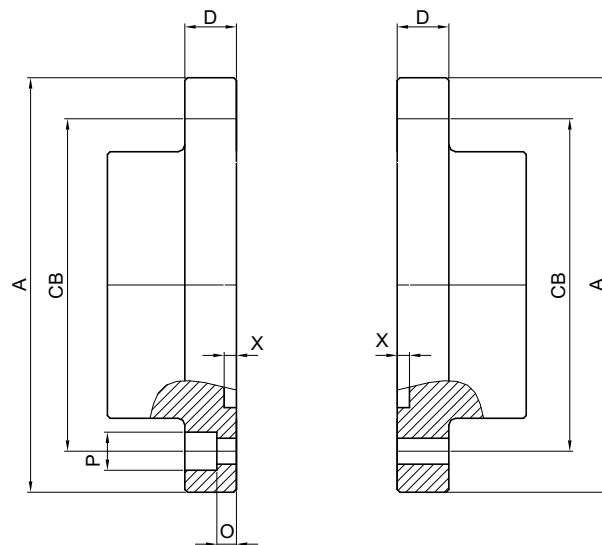


ACOPLAMENTOS DE ENGRENAGENS **POR** Dimensões dos flanges

ACOPLAMIENTOS DE ENGRANAJES **ESP** Detalle de las bridas de las campanas

GEAR COUPLINGS **ENG** Flanged sleeve and rigid hub details

Conforme Norma AGMA 516-01
Cumple Norma AGMA 516-01
Meets AGMA 516-01



Embutido / Shrouded

Expostos / Expuestos / Exposed

Tamaño Tamaño Size	Dimensões comuns parafusos expostos e embutidos / Dimensiones comunes bulones expuestos y embutidos / Shrouded or exposed bolts			Parafusos expostos / Bulones expuestos / Exposed bolts			Parafusos embutidos / Bulones embutidos / Shrouded bolts				
	A	D	X	CB	Nº	Size	CB	Nº	Size	P	O
101	115.88	14.0	1.5	95.25	6	1/4" x 1 1/2	95.25	6	1/4" x 3/4"	16	5
101 1/4	130.00	16.0	1.5	104.00	6	5/16" x 1 3/4	104.00	6	5/16" x 7/8"	20	6
101 1/2	152.40	19.0	2.0	122.23	8	3/8" x 2	122.23	8	3/8" x 1"	22	6
102	177.80	19.0	2.0	149.20	6	1/2" x 2 1/4	147.60	10	3/8" x 1"	22	6
102 1/2	212.70	22.0	3.0	181.00	6	5/8" x 2 1/2	177.80	10	1/2" x 1 1/4"	26	7
103	239.70	22.0	3.0	206.40	8	5/8" x 2 1/2	203.23	12	1/2" x 1 1/4"	26	7
103 1/2	279.40	27.0	3.0	241.30	8	3/4" x 3	235.70	12	5/8" x 1 1/2"	34	9
104	317.50	27.0	3.0	279.40	8	3/4" x 3	269.90	14	5/8" x 1 1/2"	34	9
104 1/2	346.10	27.0	4.0	304.80	10	3/4" x 3	298.50	14	5/8" x 1 1/2"	34	9
105	388.90	38.0	4.0	342.90	8	7/8" x 4	335.00	14	3/4" x 2"	40	13
105 1/2	425.45	38.0	5.0	368.30	14	7/8" x 4	366.72	16	3/4" x 2"	40	16
106	457.20	25.0	4.0	400.00	14	7/8" x 4					
107	527.00	28.5	8.0	463.55	16	1" x 4					
8	590.60	33.0		527.00	16						
9	660.40	36.0		590.60	18						
10	711.00	38.0		641.30	18						
11	774.70	41.0		698.50	18						
12	838.00	41.0		762.00	18						