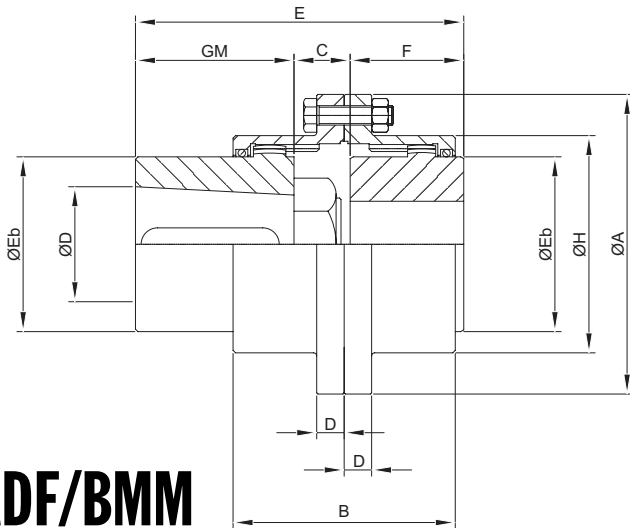
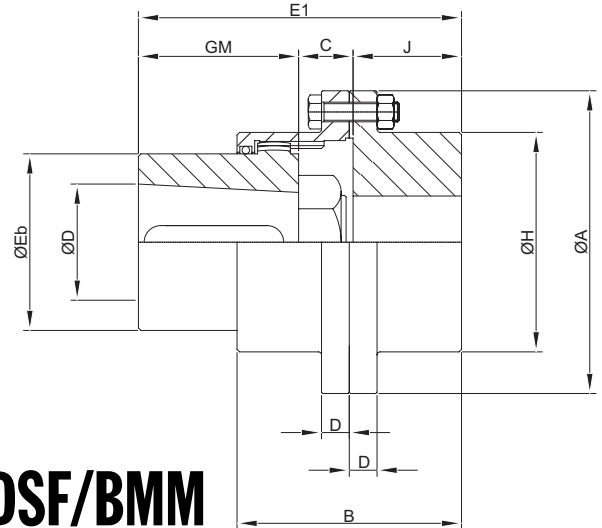




ACOPLAMENTOS DE ENGRANAGENS **POR** **Mill Motor Eixo cônico Normas AISE**
ACOPLAMIENTOS DE ENGRANAJES **ESP** **Para ejes cónico Normas AISE**
GEAR COUPLINGS **ENG** **Mill Motor hub for AISE shafts**



TADF/BMM



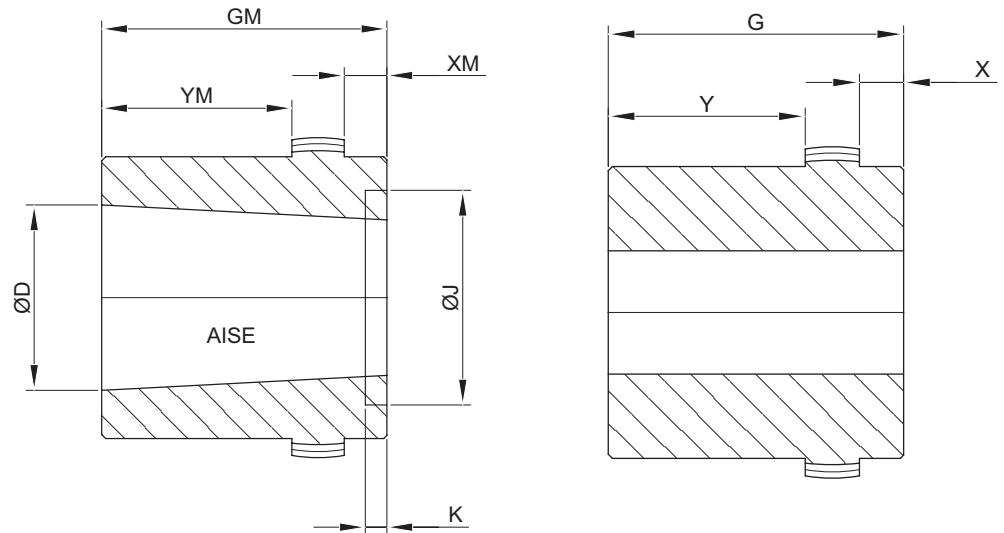
TDSF/BMM

Tamaño Tamaño Size	Motor AISE	Ø A	Ø Eb	Ø D	Ø H	Gm	B	C	D	TADF / BMM		TASF / BMM	
										E	F	E1	J
101 1/2	602	152.4	79.0	44.4	98.0	78.4	95.0	25.0	19.0	152.4	49.0	148.9	45.5
	603			50.8		92.6		25.0		166.6		163.1	
	604			50.8		92.6		25.0		166.6		163.1	
102	602	177.8	100.0	44.4	124.5	76.2	120.0	27.0	19.0	165.2	62.0	161.2	58.0
	603			50.8		89.0		28.5		179.5		175.5	
	604			50.8		89.0		28.5		179.5		175.5	
102 1/2	606	212.7	122.0	63.5	149.0	101.6	148.0	31.8	22.0	195.4	77.0	191.4	71.0
	603			50.8		89.0		30.2		196.2		190.2	
	604			50.8		89.0		30.2		196.2		190.2	
	606			63.5		101.6		33.3		211.9		205.9	
	608			82.5		114.3		36.6		227.9		221.9	
103	610	239.7	140.0	82.5	174.0	114.3	178.0	39.6	22.0	230.9	91.0	224.9	86.0
	612			92.1		127.0		42.4		246.4		240.4	
	606			63.5		101.6		33.3		225.9		220.9	
	608			76.2		114.3		36.6		241.9		236.9	
	610			82.5		114.3		39.6		244.9		239.9	
103 1/2	612	279.4	162.0	92.1	200.0	127.0	206.0	43.0	27.0	261.0	106.0	256.0	100.0
	614			107.9		127.0		47.8		280.8		274.8	
	616			117.5		139.7		51.0		296.7		290.7	
	606			63.5		101.6		35.0		242.6		236.6	
	608			76.2		114.3		38.1		258.4		252.4	
	610			82.5		114.3		41.1		261.4		255.4	
104	612	317.5	192.0	92.1	234.0	127.0	234.0	44.5	27.0	277.5	120.0	271.5	114.0
	614			107.9		127.0		47.8		294.8		288.8	
	616			117.5		139.7		51.0		310.7		304.7	
	618			127.0		152.4		39.6		312.0		306.0	
	610			82.5		114.3		41.0		275.3		269.3	
104 1/2	612	346.1	214.0	92.1	263.0	127.0	262.0	46.0	27.0	308.0	135.0	300.0	127.0
	614			107.9		127.0		49.3		311.3		303.3	
	616			117.5		139.7		52.3		327.0		319.0	
	618			127.0		152.4		41.1		328.5		320.5	
	620			149.2		171.5		52.3		358.8		350.8	
105	614	388.9	239.0	107.9	293.0	127.0	298.0	49.3	38.0	329.3	153.0	321.3	145.0
	616			117.5		139.7		52.3		345.0		337.0	
	618			127.0		152.4		41.1		346.5		338.5	
	620			149.2		171.5		52.3		376.8		368.8	
	622			158.7		184.2		68.3		405.5		397.5	
105 1/2	624	425.5	267.0	177.8	325.0	235.0	314.0	68.3	38.0	456.3	168.0	448.3	153.0
	618			127.0		152.4		41.1		361.5		346.5	
	620			149.2		171.5		52.3		391.8		376.8	
	622			158.8		184.2		68.3		420.5		405.5	
106	624	457.2	295.0	177.8	356.0	235.0	336.0	68.3	25.0	471.3	188.0	456.3	164.0
	616			117.5		139.7		52.3		380.0		356.0	
	618			127.0		152.4		41.1		381.5		357.5	
	620			149.2		171.5		52.3		411.8		387.8	
	622			158.7		184.2		68.3		440.5		416.5	



ACOPLAMENTOS DE ENGRENAGENS **POR** **Cubos Mill Motor para eixo cônico Normas AISE**
ACOPLAMIENTOS DE ENGRANAJES **ESP** **Cubos Mill Motor para ejes cónico**
GEAR COUPLINGS **ENG** **Mill Motor hub for AISE shafts**

TADF/BMM



Conicidade: 11/4" x pés em \varnothing
 Conicidad: 11/4" x pie en \varnothing
 Bore taper: 11/4" x per ft. on \varnothing

Tamanho Tamaño Size	Motor AISE	Std AISE					Stock			
		Xm	Ym	Gm	ØD	ØJ	K	X	Y	G
101 1/2	602	-	62.4	78.4	44.4	71.5	2.2	-	76.6	92.6
	603	-	76.6	92.6	50.8		3.7	-		
	604	-	76.6	92.6	50.8		3.7	-		
102	602	4.5	51.2	76.2	44.4	-	-	4.5	81.1	106.1
	603	3.0	65.5	89.0	50.8					
	604	3.0	65.5	89.0	50.8					
	606	-	81.1	101.6	63.5					
102 1/2	603	13.3	52.2	89.0	50.8	-	-	13.3	102.2	139.0
	604	13.3	52.2	89.0	50.8					
	606	10.2	67.9	101.6	63.5					
	608	6.9	83.9	114.3	82.5					
	610	3.9	86.9	114.3	82.5					
103	612	1.3	102.2	127.0	92.1	-	-	18.2	92.5	136.7
	606	18.2	57.4	101.6	63.5					
	608	14.9	73.4	114.3	76.2					
	610	11.9	76.4	114.3	82.5					
103 1/2	612	8.5	92.5	127.0	92.1	-	-	27.5	98.7	155.7
	606	27.5	44.6	101.6	63.5					
	608	24.4	60.4	114.3	76.2					
	610	21.4	63.4	114.3	82.5					
	612	18.0	79.5	127.0	92.1					
	614	14.7	82.8	127.0	107.9					
104	616	11.5	98.7	139.7	117.5	-	-	30.4	88.0	152.4
	610	29.0	51.3	114.3	82.5					
	612	25.5	67.5	127.0	92.1					
	614	22.2	70.8	127.0	107.9					
	616	19.0	86.7	139.7	117.5					
	618	30.4	88.0	152.4	127.0					
104 1/2	612	36.0	54.0	127.0	92.1	-	-	40.9	104.8	182.7
	614	32.7	57.3	127.0	107.9					
	616	29.7	73.0	139.7	117.5					
	618	40.9	74.5	152.4	127.0					
	620	29.7	104.8	171.5	149.2					
105	614	46.7	39.3	127.0	107.9	-	-	54.9	166.3	262.2
	616	43.7	55.0	139.7	117.5					
	618	54.9	56.5	152.4	127.0					
	620	43.7	86.8	171.5	149.2					
	622	27.7	115.5	184.2	158.7					
	624	27.7	166.3	235.0	177.8					
105 1/2	618	60.0	48.4	152.4	127.0	-	-	60.0	158.3	262.3
	620	48.7	78.8	171.5	149.2					
	622	32.7	107.5	184.2	158.8					
	624	32.7	158.3	235.0	177.8					
106	616	55.7	36.0	139.7	117.5	-	-	66.9	147.3	262.2
	618	66.9	37.5	152.4	127.0					
	620	55.7	67.8	171.5	149.2					
	622	39.7	96.5	184.2	158.7					
	624	39.7	147.3	235.0	177.8					