

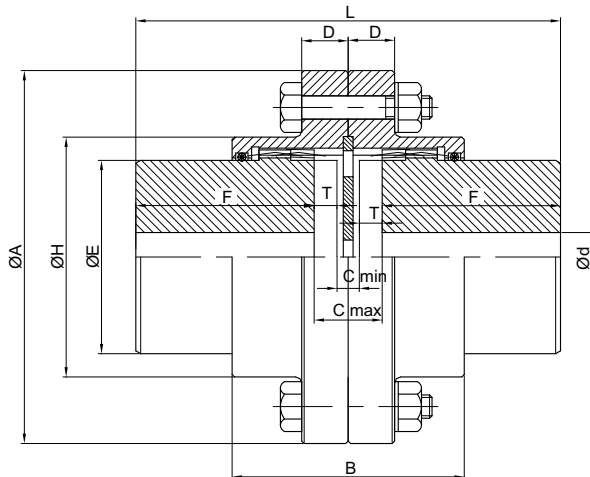


ACOPLAMENTOS DE ENGRENAGENS **POR** Deslocamento axial

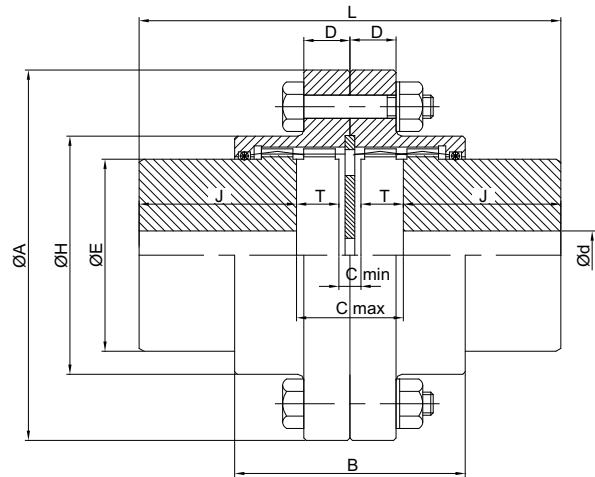
ACOPLAMIENTOS DE ENGRANAJES **ESP** Desplazamiento axial

GEAR COUPLINGS **ENG** Slide couplings

## TADF/BGL1



## TADF/BGL2



Tamaño Tamaño Size	Torque Nm	HP/ 100 rpm	rpm max	ø d max	A	B	D	F	H	E	J
101	1140	16	8000	44	115.9	72.0	14.0	41	76.0	58	---
101 <sup>1</sup> / <sub>4</sub>	1756	25	7250	47	130.0	83.0	16.0	43	83.0	64	80.0
101 <sup>1</sup> / <sub>2</sub>	2348	34	6500	60	152.4	95.0	19.0	49	98.0	79	86.0
102	4269	61	5600	73	177.8	120.0	19.0	62	124.5	100	102.0
102 <sup>1</sup> / <sub>2</sub>	7470	107	5000	92	212.8	148.0	22.0	77	149.0	122	112.0
103	12094	172	4400	105	239.7	178.0	22.0	91	174.0	140	126.0
103 <sup>1</sup> / <sub>2</sub>	18496	264	3900	123	279.4	206.0	27.0	106	200.0	162	137.0
104	30590	436	3600	146	317.5	234.0	27.0	120	234.0	192	154.5
104 <sup>1</sup> / <sub>2</sub>	41971	598	3200	171	346.1	262.0	27.0	135	263.0	214	350.0
105	56560	806	2900	183	388.9	298.0	38.0	153	293.0	239	185.0
105 <sup>1</sup> / <sub>2</sub>	73985	1054	2650	205	425.5	316.0	38.0	168	325.0	267	235.5
106	90345	1287	2450	230	457.2	338.0	25.0	188	356.0	295	188.0
107	135160	1926	2150	270	527.0	369.0	28.5	221	406.0	342	220.5

Tamaño Tamaño Size	GL1					GL2				
	L max	T max		gap		L max	T max		gap	
		each	total	min	max		each	total	min	max
101	85	1.3	2.6	7.5	10	--	--	--	--	--
101 <sup>1</sup> / <sub>4</sub>	99	5.0	10.0	7.5	13	201	6	12	7.5	41
101 <sup>1</sup> / <sub>2</sub>	117	10.0	20.0	7.5	19	226	23	46	7.5	54
102	151	9.0	18.0	7.5	27	266	27	54	7.5	62
102 <sup>1</sup> / <sub>2</sub>	199	17.0	34.0	9.5	45	301	34	68	9.5	77
103	234	21.0	42.0	9.5	52	333	36	72	9.5	81
103 <sup>1</sup> / <sub>2</sub>	283	30.0	60.0	11.0	71	376	45	90	11.0	102
104	320	33.0	66.0	14.0	80	430	53	106	14.0	121
104 <sup>1</sup> / <sub>2</sub>	368	41.0	82.0	16.0	98	836	60	120	16.0	136
105	430	53.0	106.0	18.0	124	523	67	134	18.0	153
105 <sup>1</sup> / <sub>2</sub>	463	58.0	116.0	18.0	127	645	78	156	18.0	174
106	492	53.0	106.0	21.0	116	563	83	166	21.0	187
107	588	62.0	124.0	27.0	146	664	98	196	27.0	223