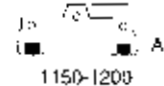
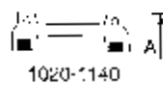
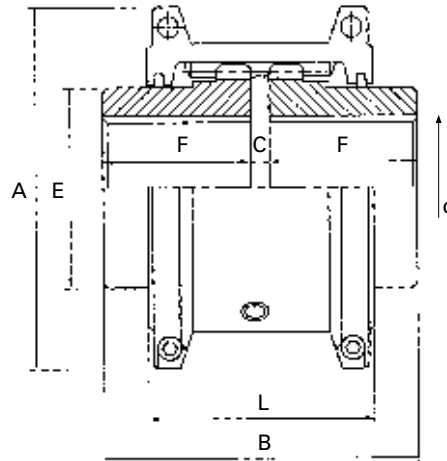


ACOPLAMENTOS DE GRADE **POR** **Dimensões**
ACOPLAMIENTOS DE GRILLA **ESP** **Dimensiones**
GRID COUPLINGS **ENG** **Measurements**

TAGH



Tamanho Tamaño Size	HP/ 100 rpm	Torque Nm	rpm max	ø d max	A	B	C (gap)			E	F	L	Peso Weight Kg	LUB. wt (Kg)
							Normal	Mín.	Máx.					
1020	0.7	49	4500	30	101.6	98.0	3.0	1.5	4.5	39.7	47.5	66.5	1.9	0.03
1030	1.9	133	4500	35	111.3	98.0	3.0	1.5	4.5	49.2	47.5	68.3	2.6	0.03
1040	3.2	225	4500	43	117.6	104.6	3.0	1.5	4.5	57.1	50.8	70.0	3.4	0.05
1050	5.6	393	4500	50	138.2	123.6	3.0	1.5	4.5	67.7	60.3	79.5	5.4	0.05
1060	8.8	618	4350	55	150.9	130.0	3.0	1.5	4.5	76.2	63.5	92.0	7.3	0.09
1070	13.0	912	4125	65	162.1	155.4	3.0	1.5	4.5	87.3	76.2	95.0	10.0	0.11
1080	27.0	1895	3600	78	193.8	180.8	3.0	1.5	6.0	104.8	88.9	116.0	18.0	0.17
1090	48.0	3369	3600	95	212.9	199.8	3.0	1.5	6.0	123.8	98.4	122.0	25.0	0.25
1100	81.0	5685	2400	107	251.0	245.7	4.5	1.5	9.5	142.0	120.6	155.5	42.0	0.43
1110	121.0	8493	2250	117	270.0	258.5	4.5	1.5	9.5	160.3	127.0	161.5	54.0	0.51
1120	177.0	12423	2025	136	308.1	304.4	6.0	1.5	12.5	179.4	149.2	191.5	81.0	0.73
1130	257.0	18038	1800	165	346.2	329.8	6.0	1.5	12.5	217.5	161.9	195.0	121.0	0.91
1140	370.0	25969	1650	184	384.3	371.6	6.0	1.5	12.5	254.0	182.8	201.0	178.0	1.13
1150	515.0	36147	1500	203	454.9	371.8	6.0	1.5	12.5	269.2	182.9	271.3	234.0	1.95
1160	724.0	50816	1350	228	519.9	402.2	6.0	1.5	12.5	304.8	198.1	278.9	317.0	2.81
1170	965.0	67731	1225	279	585.0	437.8	6.0	1.5	12.5	355.6	215.9	304.3	448.0	3.49
1180	1338.0	93911	1100	311	635.0	483.6	6.0	1.5	12.5	393.7	238.8	321.1	619.0	3.76
1190	1770.0	124232	1050	339	675.6	524.2	6.0	1.5	12.5	436.9	259.1	325.1	776.0	4.40
1200	2413.0	169363	900	361	756.9	564.8	6.0	1.5	12.5	497.8	279.4	355.6	1057.0	5.62