



ACOPLAMENTOS ELÁSTICOS **POR** Tabelas para seleção
ACOPLAMIENTOS ELÁSTICOS **ESP** Tablas para identificación
FLEX COUPLINGS **ENG** Identification charts

TASG

| RPM | Tamanho / Tamaño / Size | | | | | | | | | | | | | | | | | | | | |
|------|-------------------------|-------|-------|-------|--------|--------|--------|--------|--------|---------|--------|---------|---------|---------|---------|---------|----------|----------|----------|----------|--|
| | 20 | 25 | 30 | 35 | 45 | 50 | 60 | 70 | 80 | 90 | 95 | 105 | 120 | 140 | 170 | 200 | 240 | 300 | 350 | 400 | |
| 100 | 0.64 | 0.87 | 1.28 | 1.81 | 4.84 | 7.18 | 13.37 | 18.31 | 24.18 | 34.28 | 36.27 | 52.63 | 96.73 | 133.00 | 286.63 | 406.83 | 980.09 | 1465.15 | 1930.30 | 2759.60 | |
| 200 | 1.28 | 1.74 | 2.56 | 3.61 | 9.67 | 14.37 | 26.74 | 36.61 | 48.36 | 68.56 | 72.55 | 105.26 | 193.46 | 266.00 | 573.26 | 813.66 | 1960.17 | 2930.30 | 3860.60 | 5519.20 | |
| 300 | 1.92 | 2.60 | 3.84 | 5.42 | 14.51 | 21.55 | 40.11 | 54.92 | 72.55 | 102.84 | 108.82 | 157.89 | 290.18 | 399.00 | 859.89 | 1220.48 | 2940.26 | 4395.45 | 5790.90 | 8278.81 | |
| 400 | 2.56 | 3.47 | 5.12 | 7.23 | 19.35 | 28.73 | 53.49 | 73.23 | 96.73 | 137.13 | 145.09 | 210.53 | 386.91 | 532.01 | 1146.51 | 1627.31 | 3920.34 | 5860.60 | 7721.19 | 11038.41 | |
| 500 | 3.20 | 4.34 | 6.40 | 9.03 | 24.18 | 35.92 | 66.86 | 91.54 | 120.91 | 171.41 | 181.37 | 263.16 | 483.64 | 665.01 | 1433.14 | 2034.14 | 4900.43 | 7325.75 | 9651.49 | 13798.01 | |
| 600 | 3.84 | 5.21 | 7.68 | 10.84 | 29.02 | 43.10 | 80.23 | 109.84 | 145.09 | 205.69 | 217.64 | 315.79 | 580.37 | 798.01 | 1719.77 | 2440.97 | 5880.51 | 8790.90 | 11581.79 | 16557.61 | |
| 700 | 4.48 | 6.07 | 8.96 | 12.65 | 33.85 | 50.28 | 93.60 | 128.15 | 169.27 | 239.97 | 253.91 | 368.42 | 677.10 | 931.01 | 2006.40 | 2847.80 | 6860.60 | 10256.05 | 13512.09 | 19317.21 | |
| 720 | 4.61 | 6.25 | 9.22 | 13.01 | 34.82 | 51.72 | 96.27 | 131.81 | 174.11 | 246.83 | 261.17 | 378.95 | 696.44 | 957.61 | 2063.73 | 2929.16 | 7056.61 | 10549.08 | 18898.15 | 19869.13 | |
| 800 | 5.12 | 6.94 | 10.24 | 14.45 | 38.69 | 57.47 | 106.97 | 146.46 | 193.46 | 274.25 | 290.18 | 421.05 | 773.83 | 1064.01 | 2293.03 | 3254.62 | 7840.88 | 11721.19 | 16442.39 | 22076.81 | |
| 850 | 5.44 | 7.38 | 10.88 | 15.36 | 41.11 | 61.06 | 113.66 | 155.61 | 205.55 | 291.39 | 308.32 | 447.37 | 822.19 | 1130.51 | 2436.34 | 3458.04 | 8330.78 | 12453.77 | 16407.54 | 23456.61 | |
| 900 | 5.76 | 7.81 | 11.52 | 16.26 | 43.53 | 64.65 | 120.34 | 164.77 | 217.64 | 308.53 | 326.46 | 473.68 | 870.55 | 1197.01 | 2579.66 | 3661.45 | 8820.77 | 13186.34 | 17372.69 | 24836.42 | |
| 1000 | 6.40 | 8.68 | 12.80 | 18.07 | 48.36 | 71.83 | 133.71 | 183.07 | 241.62 | 342.82 | 362.73 | 526.32 | 967.28 | 1330.01 | 2866.29 | 4068.28 | 9800.85 | 14651.49 | | | |
| 1100 | 7.04 | 9.54 | 14.08 | 19.87 | 53.20 | 79.02 | 147.08 | 201.38 | 266.00 | 377.10 | 399.00 | 578.25 | 1064.01 | 1463.02 | 3152.92 | 4475.11 | 10780.94 | 16116.64 | | | |
| 1150 | 7.36 | 9.98 | 14.72 | 20.78 | 55.62 | 82.61 | 153.77 | 210.53 | 278.09 | 394.24 | 417.14 | 605.26 | 1112.38 | 1529.52 | 3296.23 | 4678.52 | | | | | |
| 1200 | 7.68 | 10.41 | 15.36 | 21.68 | 58.04 | 86.20 | 160.46 | 219.69 | 290.18 | 411.38 | 435.28 | 631.58 | 1160.74 | 1596.02 | 3494.54 | 4881.93 | | | | | |
| 1300 | 8.32 | 11.28 | 16.64 | 23.49 | 62.87 | 93.39 | 173.83 | 237.99 | 314.37 | 445.66 | 471.55 | 684.21 | 1257.47 | 1729.02 | 3726.17 | 5288.76 | | | | | |
| 1400 | 8.96 | 12.15 | 17.92 | 25.29 | 67.71 | 100.57 | 187.20 | 256.30 | 338.55 | 479.94 | 507.82 | 736.84 | 1354.20 | 1862.02 | 4012.80 | 5695.59 | | | | | |
| 1500 | 9.60 | 13.02 | 19.20 | 27.10 | 72.55 | 107.75 | 300.57 | 274.61 | 362.73 | 514.22 | 544.10 | 789.47 | 1450.92 | 1995.02 | | | | | | | |
| 1600 | 10.24 | 13.88 | 20.48 | 28.90 | 77.38 | 114.94 | 213.94 | 292.92 | 389.91 | 548.51 | 580.37 | 842.11 | 1547.65 | 2128.02 | | | | | | | |
| 1700 | 10.88 | 14.75 | 21.76 | 30.71 | 82.22 | 122.12 | 227.31 | 311.22 | 411.10 | 582.79 | 616.64 | 894.74 | 1644.38 | 2261.02 | | | | | | | |
| 1750 | 11.20 | 15.18 | 22.40 | 31.61 | 84.64 | 125.71 | 234.00 | 320.38 | 423.19 | 599.93 | 634.78 | 921.05 | | | | | | | | | |
| 1800 | 11.52 | 15.62 | 23.04 | 32.52 | 87.06 | 129.30 | 240.68 | 329.53 | 435.28 | 617.07 | 652.92 | 947.37 | | | | | | | | | |
| 2000 | 12.80 | 17.35 | 25.60 | 36.13 | 93.73 | 143.67 | 267.43 | 366.15 | 483.64 | 685.63 | 725.46 | 1052.63 | | | | | | | | | |
| 2250 | 14.40 | 19.52 | 28.81 | 40.65 | 108.82 | 161.63 | 300.85 | 411.91 | 544.10 | 771.34 | 816.15 | 1184.21 | | | | | | | | | |
| 2500 | 16.00 | 21.69 | 32.01 | 45.16 | 120.91 | 179.59 | 334.28 | 457.68 | 604.55 | 857.04 | 906.83 | 1315.79 | | | | | | | | | |
| 2750 | 17.60 | 23.86 | 35.21 | 49.68 | 133.00 | 197.55 | 367.71 | 503.45 | 665.01 | 924.75 | 997.51 | 1447.37 | | | | | | | | | |
| 3000 | 19.20 | 26.03 | 38.41 | 54.20 | 145.09 | 215.50 | 401.14 | 549.22 | 725.46 | 1028.45 | | | | | | | | | | | |
| 3250 | 20.80 | 28.20 | 41.61 | 58.71 | 157.18 | 233.46 | 434.57 | 594.99 | | | | | | | | | | | | | |
| 3500 | 22.40 | 30.37 | 44.81 | 63.23 | 169.27 | 251.42 | 467.99 | 640.75 | | | | | | | | | | | | | |
| 3600 | 23.04 | 31.24 | 46.09 | 65.04 | 174.11 | 258.61 | | | | | | | | | | | | | | | |
| 3750 | 24.00 | 32.54 | 48.01 | 67.75 | 181.37 | 269.38 | | | | | | | | | | | | | | | |
| 4000 | 25.60 | 34.71 | 51.21 | 72.26 | | | | | | | | | | | | | | | | | |
| 1500 | 28.81 | 39.05 | 57.91 | 81.29 | | | | | | | | | | | | | | | | | |
| 5000 | 32.01 | 43.39 | 64.01 | 90.33 | | | | | | | | | | | | | | | | | |

HP Nominal

Para todos os valores na área colorida abaixo da linha os cubos deverão ser encastrados (CE)

HP Nominale

Para todos los valores en color por debajo de la línea, los cubos serán encastrados (CE)

Nominal HP

All the reading between that fall below the grey line correspond to flexible couplings models with hubs that are fitted on the flanges and dynamically balanced (CE)

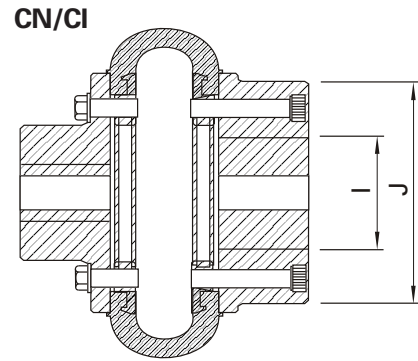
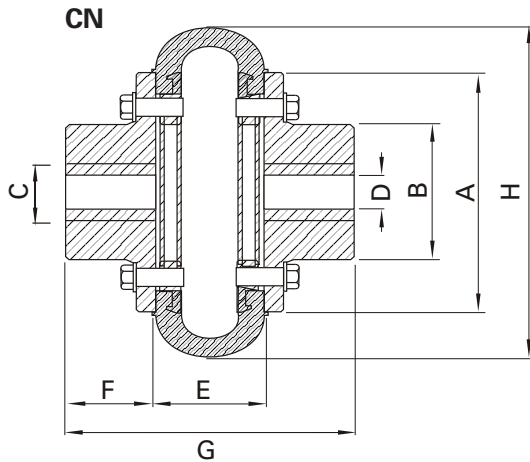
| Tamanho Tamaño Size | Tipo de cubo Tipo de cubo Type of hub | Configuração Configuración Configuration | Tipo de cubo Tipo de cubo Type of hub | Configuração Configuración Configuration | Tipo de cubo Tipo de cubo Type of hub | Configuração Configuración Configuration |
|---------------------------|---|--|---|--|---|--|
| 105 | CI/ CI | ES | | | | |

| CN | CI | CX | EC | ECI | CN | CI | CX | EC | ECI | CN | CI | CX | EC | ECI | | | | | | | | | | | | | | | | | | |
|--------------|---------------|---------------------|--------------------------------|----------------------------------|----------------|----------------|--------------------|--|--|-------------------|------------------|--------------|---------------------|-----------------------------|-------------------------|----------------|----------------|--------------------|-------------------|-----------------|-------------------|----------------|--------|----------------|-------------|-----------------|------------|--------------|------------|------------|-------------|----------|
| Cubo normal | Cubo integral | Cubo axial | Cubo normal para eixos cônicos | Cubo integral para eixos cônicos | Cubo normal | Cubo integral | Cubo axial | Cubo normal para punta de ejes cônicos | Cubo integral para punta de ejes cônicos | Type of hub | Conventional hub | Integral hub | Axial hub | Conventional mill motor hub | Integral mill motor hub | | | | | | | | | | | | | | | | | |
| EF | ES | LT | BS | RE | DF | CIN | APF | CE | CF | CC | EF | ES | LT | BS | RE | DF | CIN | APF | CE | CF | CC | EF | ES | LT | BS | RE | DF | CIN | APF | CE | CF | CC |
| Eje flotante | Espaciador | Limitador de torque | Trabas de segurança | Recobrimiento especial | Disco de freno | Cubo invertido | Com polia de freio | Cubos encastrados | Com flange | Com cubo carretel | Eje flotante | Espaciador | Limitador de torque | Trabas de seguridad | Recubrimiento especial | Disco de freno | Cubo invertido | Con polea de freno | Cubos encastrados | Con plato brida | Con cubo carretel | Floating shaft | Spacer | Limited torque | Safe clutch | Special coating | Disc brake | Inverted hub | Brakewheel | Fitted hub | With flange | Reel hub |



ACOPLAMENTOS ELÁSTICOS **POR** Dimensões
ACOPLAMIENTOS ELÁSTICOS **ESP** Dimensiones
FLEX COUPLINGS **ENG** Dimensions

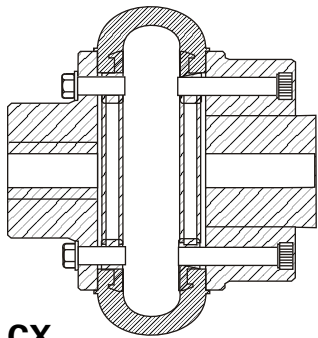
TASG



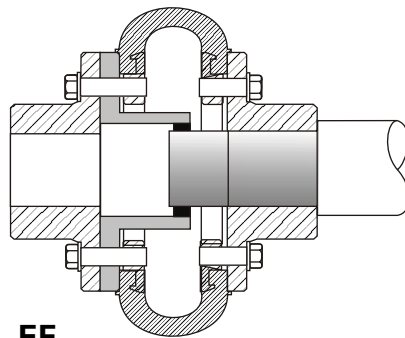
| Tamanho Tamaño Size | Torque Nm | Torção Torsión | Peso (kg) | Gd2 (kg m2) | A | B | C Máx | I Máx | J | D Min | E | F | G | H |
|--|--------------|-------------------|--------------------------------------|--|-----|--------------------------|--------------------------|-------------------|-----|--------------------------|-----|--------------------------|--------------------------|------|
| 20 | 45 | 2 | 1.05 | 0.0017 | 74 | 36 | 23 | 30 | 66 | 10 | 30 | 25 | 80 | 95 |
| 25 | 61 | 5 | 1.09 | 0.0018 | 74 | 36 | 23 | 30 | 66 | 10 | 30 | 25 | 80 | 95 |
| 30 | 90 | 2 | 2.40 | 0.0094 | 96 | 49 | 32 | 44 | 86 | 10 | 40 | 35 | 110 | 127 |
| 35 | 127 | 4 | 2.65 | 0.0098 | 96 | 49 | 32 | 44 | 86 | 10 | 40 | 35 | 110 | 127 |
| 45 | 340 | 3 | 5.00 | 0.0382 | 127 | 70 | 46 | 65 | 110 | 15 | 50 | 45 | 140 | 167 |
| 50 | 505 | 6 | 5.32 | 0.0402 | 127 | 70 | 46 | 65 | 110 | 15 | 50 | 45 | 140 | 167 |
| 60 | 940 | 5 | 12.50 | 0.1065 | 169 | 100 | 65 | 90 | 150 | 25 | 65 | 60 | 185 | 224 |
| 70 | 1287 | 9 | 13.30 | 0.1593 | 169 | 100 | 65 | 90 | 150 | 25 | 65 | 60 | 185 | 224 |
| 80 | 1700 | 5 | 24.90 | 0.5940 | 218 | 116 | 85 | 100 | 180 | 30 | 90 | 80 | 250 | 302 |
| 90 | 2410 | 6 | 26.00 | 0.6390 | 218 | 116 | 85 | 100 | 180 | 30 | 90 | 80 | 250 | 302 |
| 95 | 2550 | 4 | 34.90 | 0.9120 | 235 | 138 | 100 | 125 | 198 | 40 | 90 | 80 | 250 | 330 |
| 105 | 3700 | 8 | 44.00 | 0.9820 | 235 | 138 | 100 | 125 | 198 | 40 | 90 | 80 | 250 | 330 |
| 120/90 120/120 | 6800 | 5 | 68.60 86.00 | 2.9000 3.8000 | 297 | 150 195 | 100 140 | 170 170 | -- | 45 45 | 120 | 100 130 | 320 380 | 403 |
| 140/100 140/140 | 9350 | 9 | 87.00 94.00 | 3.0500 3.8200 | 297 | 150 195 | 100 140 | 170 170 | -- | 45 45 | 120 | 100 130 | 320 380 | 403 |
| 170/70 170/130 170/170 | 20150 | 7 | 170.20 211.80 242.80 | 12.2200 13.7500 17.6500 | 436 | 150 236 276 | 90 140 200 | 250 250 250 | -- | 30 70 120 | 185 | 80 130 180 | 345 445 545 | 550 |
| 200/690 200/140 200/200 | 28600 | 11 | 192.60 202.40 276.80 | 13.3000 13.7500 19.2000 | 436 | 186 200 276 | 90 140 200 | 250 250 250 | -- | 40 70 120 | 185 | 100 130 180 | 385 445 545 | 550 |
| 240/150 240/200 140/240 | 68900 | 4 | 364.70 447.40 633.60 | 51.5000 55.3500 84.5000 | 535 | 225 290 390 | 150 200 300 | -- | -- | 100 100 100 | 236 | 160 180 275 | 556 596 786 | 740 |
| 300/150 300/200 300/250 300/300 | 103000 | 10 | 370.00 450.00 640.00 695.00 | 50.7000 54.5000 69.4000 83.7000 | 535 | 225 290 350 390 | 150 200 250 300 | -- | -- | 110 100 100 100 | 236 | 160 200 275 275 | 556 636 786 786 | 740 |
| 350/200 350/250 350/350 | 105700 | 6 | 1049.00 1211.00 2237.00 | 453.2000 466.4000 691.0000 | 820 | 290 350 600 | 200 250 350 | -- | -- | 120 120 120 | 335 | 200 275 375 | 735 885 1085 | 1130 |
| 450/250 400/400 | 194000 | 10 | 1219.00 2245.00 | 459.2000 697.0000 | 820 | 350 600 | 250 400 | -- | -- | 120 120 | 335 | 275 375 | 885 1085 | 1130 |



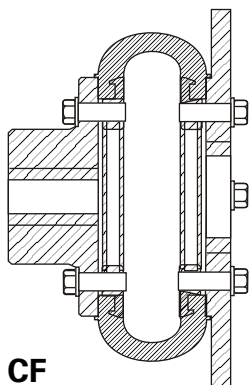
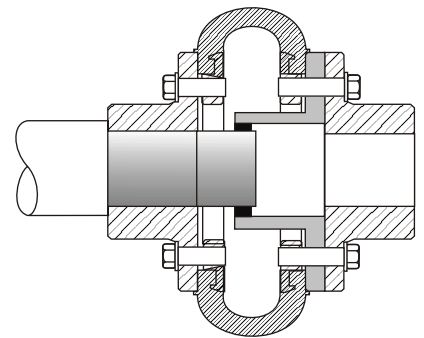
ACOPLAMENTOS ELÁSTICOS **POR** **Configurações**
ACOPLAMIENTOS ELÁSTICOS **ESP** **Configuraciones**
FLEX COUPLINGS **ENG** **Arrangement**



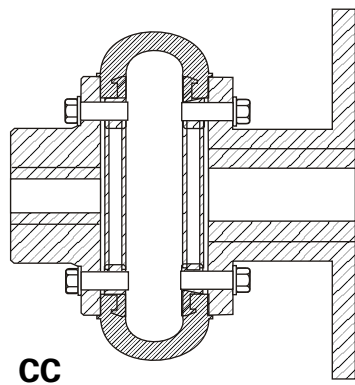
CX



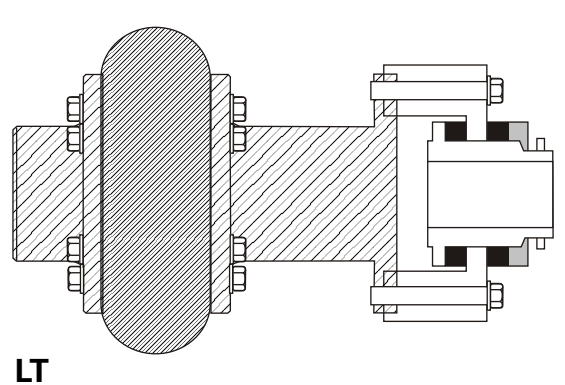
EF



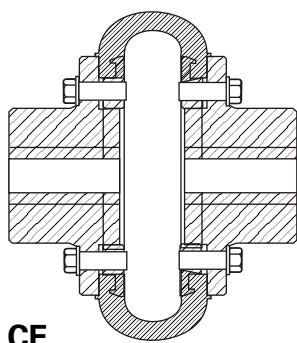
CF



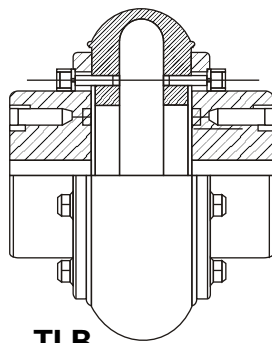
CC



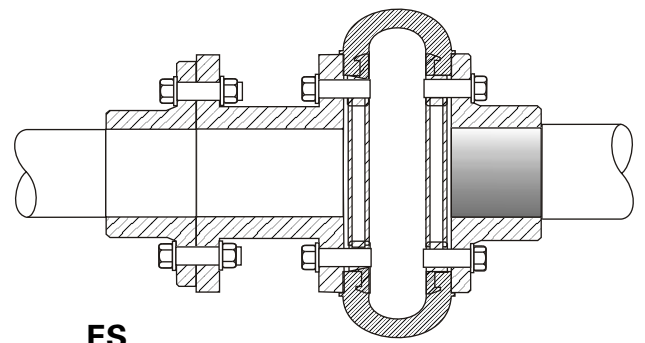
LT



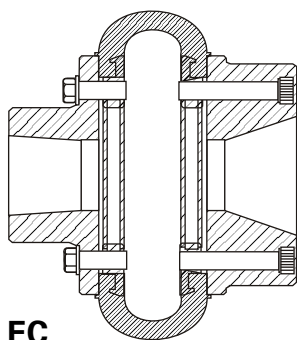
CE



TLB



ES



EC

