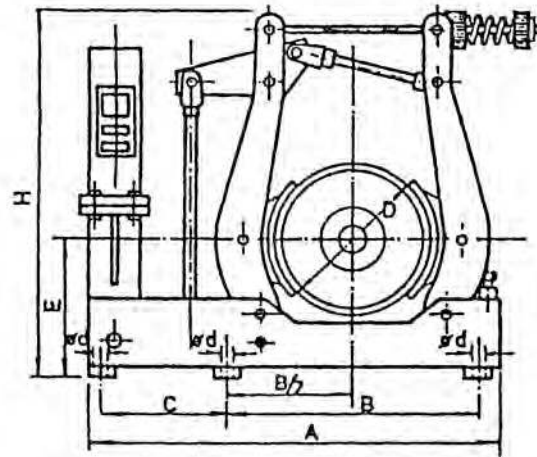
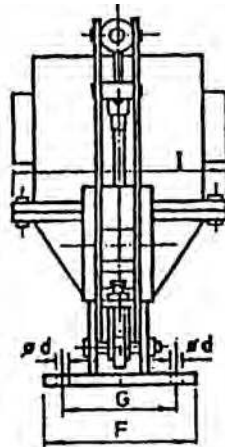


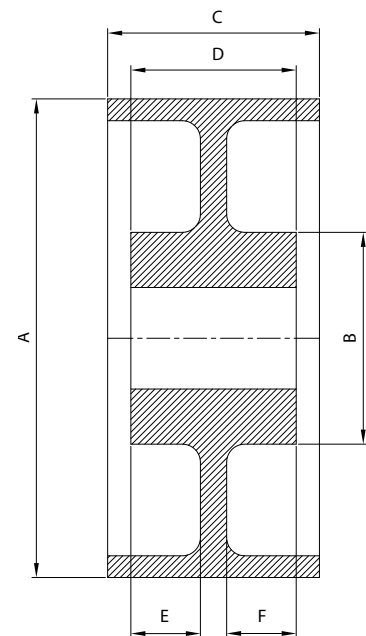

**FREIOS DE DUAS SAPATAS**
**POR**
**Eletrornagnético para trabalhos pesado**
**FRENOS DE ZAPATA**
**ESP**
**Electromagnético para servicios pesados**
**SHOE BRAKES**
**ENG**
**AC Magnetic shoe brakes for heavy duty**
**EPM**
**Con accionamiento de electroimán  
de corriente alterna (trifásica)**

Capacidad hasta cuplas  
equivalentes a 80 HP  
a 1500 rpm (375 Nm)



Modelo	A	B	C	D	E	F	G	H	I	Ød
EPM1510	400	240	125	150	125	130	100	400	230	12
EPM1515	400	240	120	150	125	130	100	400	230	12
EPM2210	550	220	220	220	180	150	110	440	230	13
EPM2215	550	240	190	220	180	175	140	460	230	13
EPM2415	650	225	225	240	210	200	160	465	230	13
EPM2420	650	240	265	240	150	175	140	487	230	13
EPM3015	800	300	228	300	226	200	160	630	312	16
EPM3020	800	300	278	300	226	200	160	630	312	16
EPM3040	800	300	270	300	226	200	160	630	312	16
EPM4020	1111	475	460	400	285	300	248	826	312	20
EPM4040	1111	475	460	400	285	300	248	826	312	20

Modelo	Ø polea	Ancho zapatas	Par max (Nm)	Electroimán			Capacidad en HP a rpm			
				Tensión (V)	Fuerza (Kg)	Consumo (Amp)	750	1000	1500	3000
EPM1510	150	50	29	3/380	10	0.75/0.75	3.0	4.0	6.5	13.0
EPM1515	150	50	39	3/380	15	1/0.50	4.0	5.3	8.5	15.5
EPM2210	220	50	49	3/380	10	0.75/0.35	5.5	7.0	11.0	22.0
EPM2215	220	50	62	3/380	15	1/0.50	6.8	9.0	18.5	27.0
EPM2415	240	77	78	3/380	15	1/0.50	8.5	11.0	17.0	34.0
EPM2420	240	77	93	3/380	20	2/0.75	10.0	13.3	20.0	40.0
EPM3015	300	100	118	3/380	15	1/0.50	12.8	17.3	26.0	52.0
EPM3020	300	100	165	3/380	20	2/0.75	17.8	24.0	36.0	72.0
EPM3040	300	100	211	3/380	40	4/1.20	23.0	31.0	46.5	93.0
EPM4020	400	150	291	3/380	20	2/0.75	31.5	42.0	63.5	127.0
EPM4040	400	150	366	3/380	40	4/1.20	40.0	53.0	80.0	160.0

**ACESSÓRIOS /  
ACCESORIOS**
**Polia fixa  
Polea fija**


Mod.	A	B	C	D	E	F
PF 90	90	38	40	42	-	32
PF 130	130	45	42	60	-	50
PF 150	150	52	55	68	-	40
PF 220	220	68	70	98	43	43
PF 240	240	73	90	102	40	40
PF 300	300	88	108	114	52	52

